

**Cedar County, Iowa**  
Horizontal Datum: **NAD 83(2011)** - Vertical Datum: **NAVD 1988**  
Iowa State Plane South Zone (1402)  
Iowa Regional Coordinate System, Zone 10. Cedar Rapids (LCC)  
US Survey Feet  
**2015**

Point Name: **41**

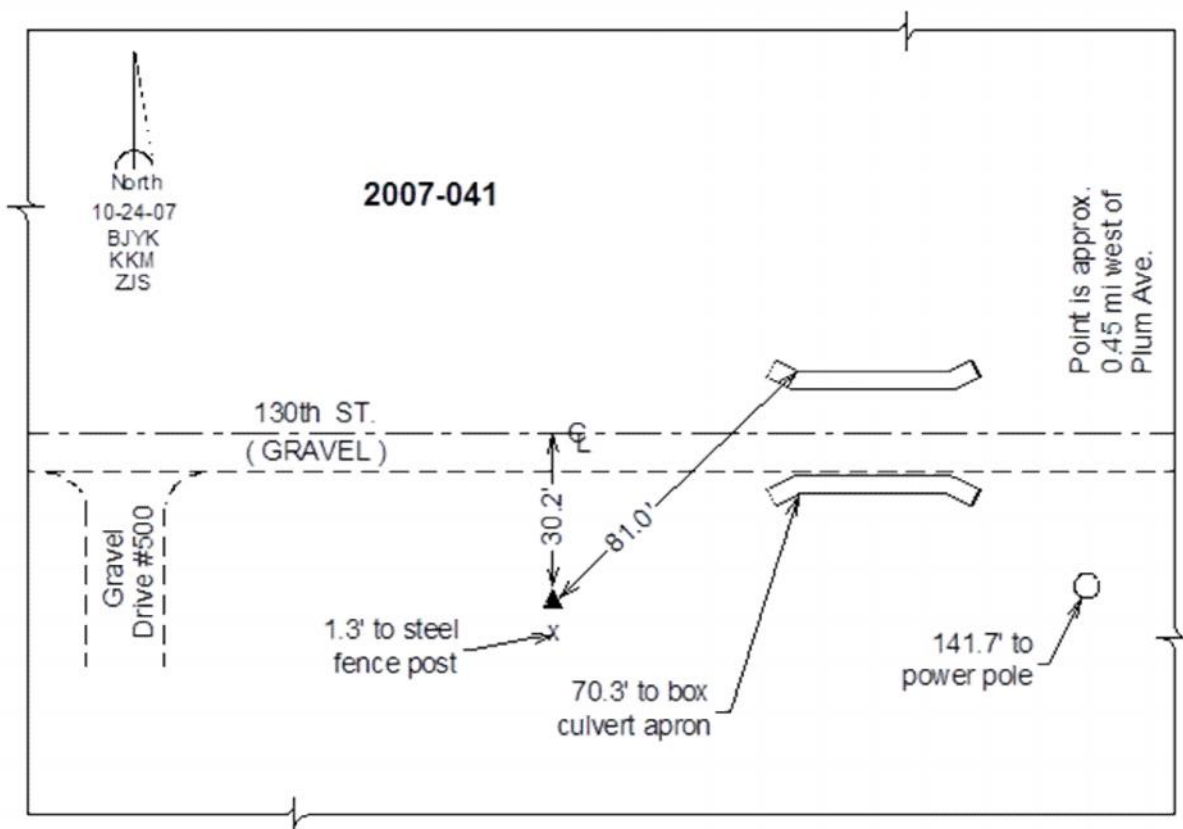
**Designation:** 2007-041 Cedar Co GPS Control Pt

NAD 83(NA2011) Latitude: **N41°54'11.45008"** Longitude: **W91°04'26.62796"**  
NAVD 88 Ortho Height: **797.78sft** Ellip. Ht: **690.82sft** **Geoid12A**

**Iowa South Zone (1402)** Northing: **702628.29sft** Easting: **2300762.20sft**  
Mapping Angle: **1°35'53"** Combination Scale Factor: **0.999990518**

**IaRCS Zone 10** Northing: **8026009.616sft** Easting: **20661327.183sft**  
Mapping Angle: **00° 23' 43"** Combination Scale Factor: **0.999987654**

**Monument Type:** Berntsen 3/4" Top Security Rod Monument with a 2-1/2" dia. domed survey cap and permanent magnet encased in a white PVC pipe with a NGS style alum. access cover.



*This document was prepared by Dan Corbin, Inc. on September 30, 2015 for Cedar County, Iowa.*