

Cedar County, Iowa
 Horizontal Datum: **NAD 83(2011)** - Vertical Datum: **NAVD 1988**
 Iowa State Plane South Zone (1402)
 Iowa Regional Coordinate System, Zone 10. Cedar Rapids (LCC)
 US Survey Feet
2015

Point Name: **5011**

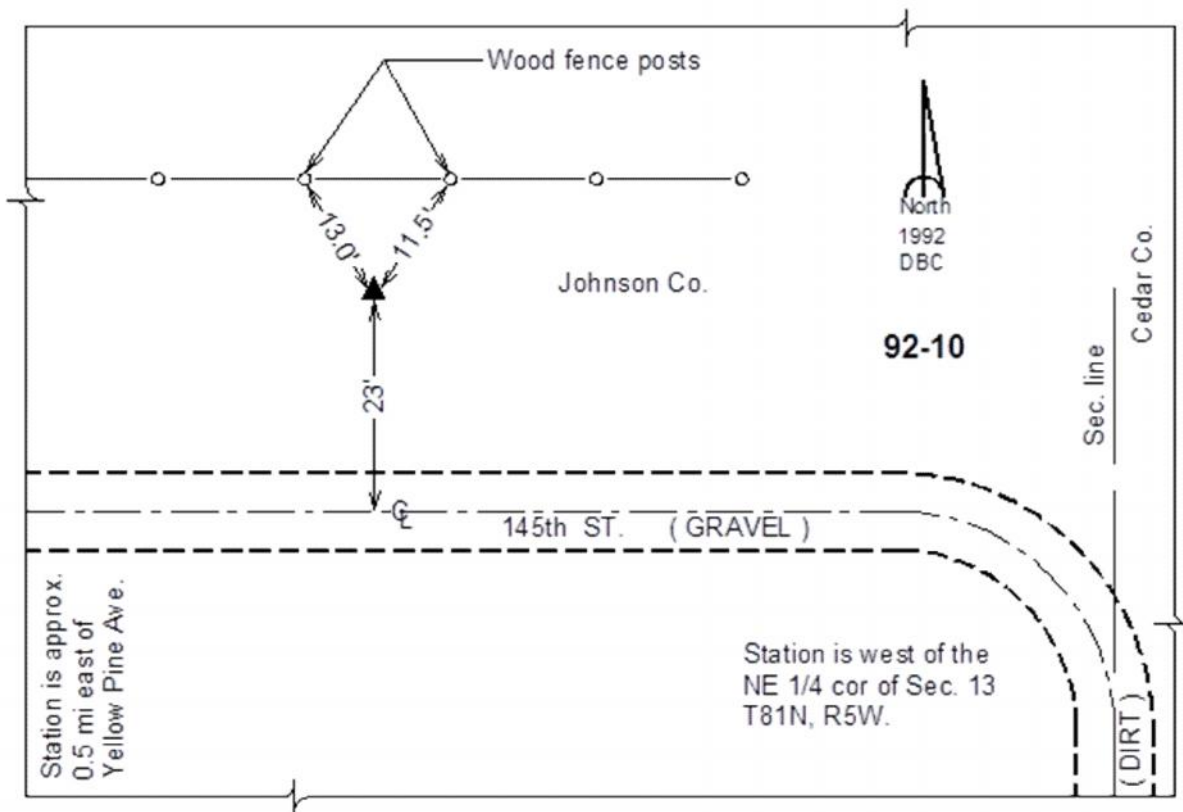
Designation: 92-10 Johnson Co GPS Control Pt (Set by ASI in 1992)

NAD 83(NA2011) Latitude: **N41°49'39.12462"** Longitude: **W91°22'00.74724"**
 NAVD 88 Ortho Height: **732.93sft** Ellip. Ht: **625.98sft** **Geoid12A**

Iowa South Zone (1402) Northing: **672981.63sft** Easting: **2221751.42sft**
 Mapping Angle: **1°24'18"** Combination Scale Factor: **0.999978279**

IaRCS Zone 10 Northing: **7998029.470sft** Easting: **20581710.580sft**
 Mapping Angle: **00° 12' 00"** Combination Scale Factor: **0.999990024**

Monument Type: 5/8" dia. driven aluminum rod with a 2-1/2" dia. aluminum cap and permanent magnet encased in a 6" dia. PVC pipe with an aluminum access cover.



This document was prepared by Dan Corbin, Inc. on September 30, 2015 for Cedar County, Iowa.