

Cerro Gordo County, Iowa
Iowa North Zone (1401)
Horiz. Datum: **NAD83(NA2011)**
Vert. Datum: NAVD 1988
US Survey Feet
2013

Point Name: **104**

Designation: G104 (Set by WHKS & Co. in 2002)

Northing: **3795390.68sft** Easting: **5001092.32sft**

Orthometric Height: **1090.54sft** Ellipsoid Height: **996.28sft** **Geoid12A**

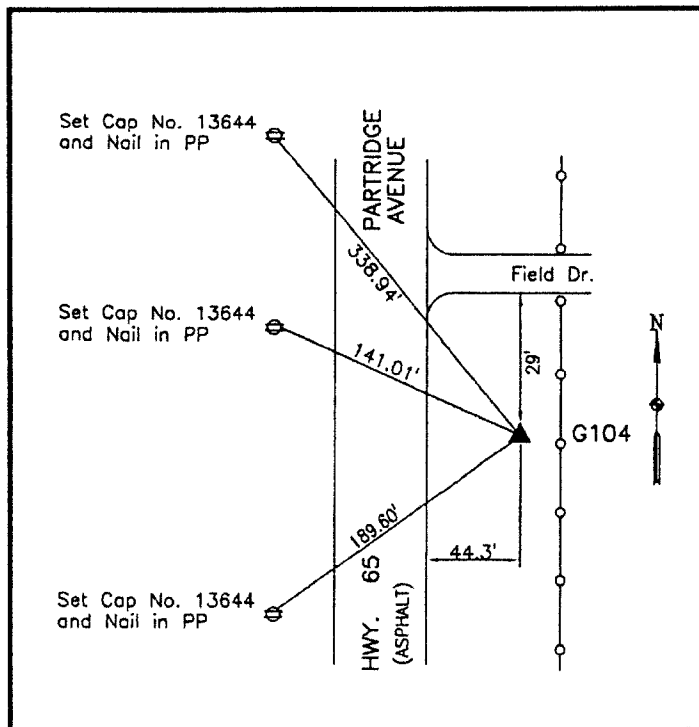
Latitude: **N42°54'41.67502"**

Longitude: **W93°12'07.06227"**

Mapping Angle: **0°12'07"**

Combination Scale Factor: **0.999906877**

Monument Type: 5/8" x 6'-0" long aluminum rod with cap stamped G104 and NGS style access cover 2" deep.



East side Hwy 65 (Partridge Avenue) - 30'± south of field entrance - 1400'± north of SW Corner Section 34-T94N-R20W.

WHKS & CO.

This document was prepared by DCI on 09-30-2013 for use by Cerro Gordo County, Iowa.