

Fremont County, Iowa
Horizontal Datum: **NAD 83(2011)** - Vertical Datum: **NAVD 1988**
Iowa State Plane South Zone (1402)
Iowa Regional Coordinate System Zone 6 Council Bluffs
US Survey Feet
2015

Point Name: **23**

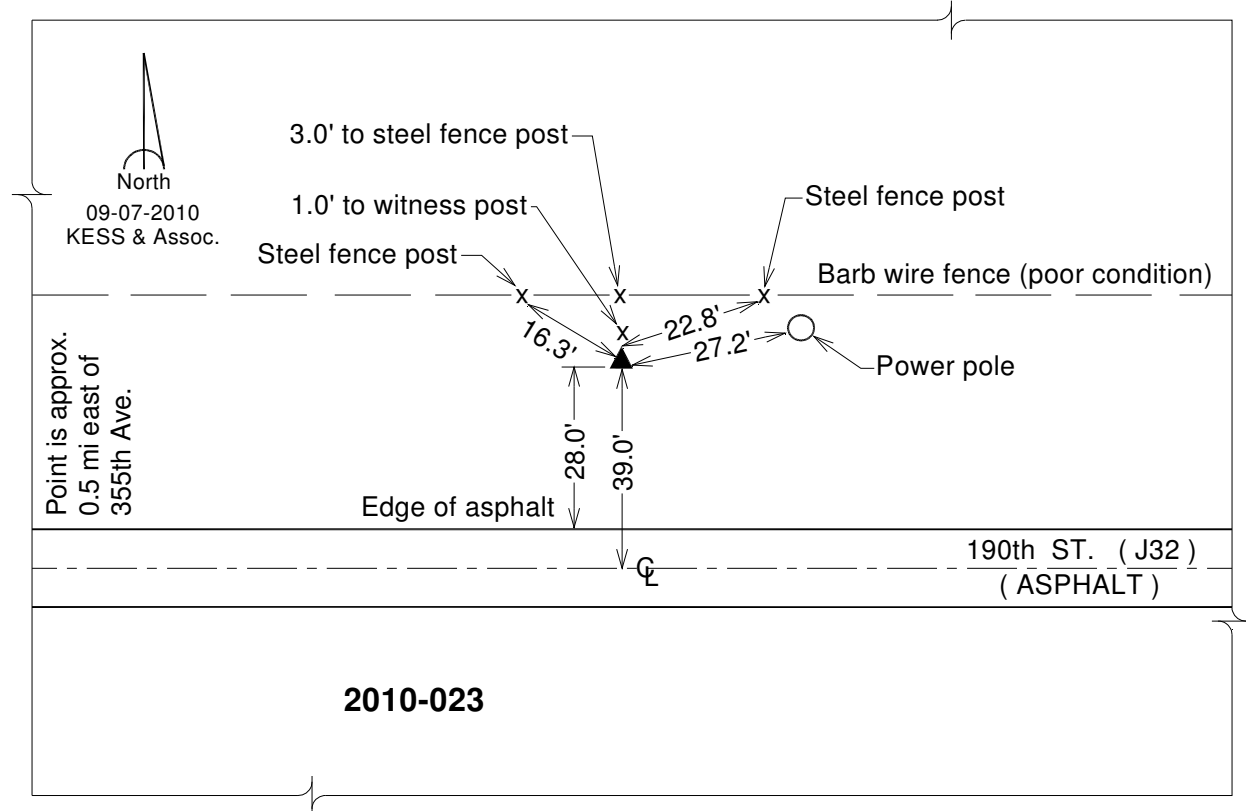
Designation: 2010-023 Fremont Co GPS Control Pt (Set by DCI in 2010)

NAD 83(NA2011) Latitude: **N40°46'19.28766"** Longitude: **W95°30'02.97020"**
NAVD 88 Ortho Height: **1083.102sft** Ellip. Ht: **984.211sft** **Geoid12A**

Iowa South Zone (1402) Northing: **287645.850sft** Easting: **1086285.346sft**
Mapping Angle: **-1°19'05"** Combination Scale Factor: **0.999929250**

IaRCS Zone 6 Northing: **6790275.831sft** Easting: **16564403.244sft**
Mapping Angle: **0°09'07"** Combination Scale Factor: **0.999996774**

Monument Type: Berntsen 3/4" Top Security Rod Monument with a 2-1/2" dia. domed survey cap and permanent magnet encased in a white PVC pipe with a NGS style alum. access cover.



This document was prepared by DCI on January 9, 2015 for use by Fremont County, Iowa