

Fremont County, Iowa
Horizontal Datum: **NAD 83(2011)** - Vertical Datum: **NAVD 1988**
Iowa State Plane South Zone (1402)
Iowa Regional Coordinate System Zone 6 Council Bluffs
US Survey Feet
2015

Point Name: **3059**

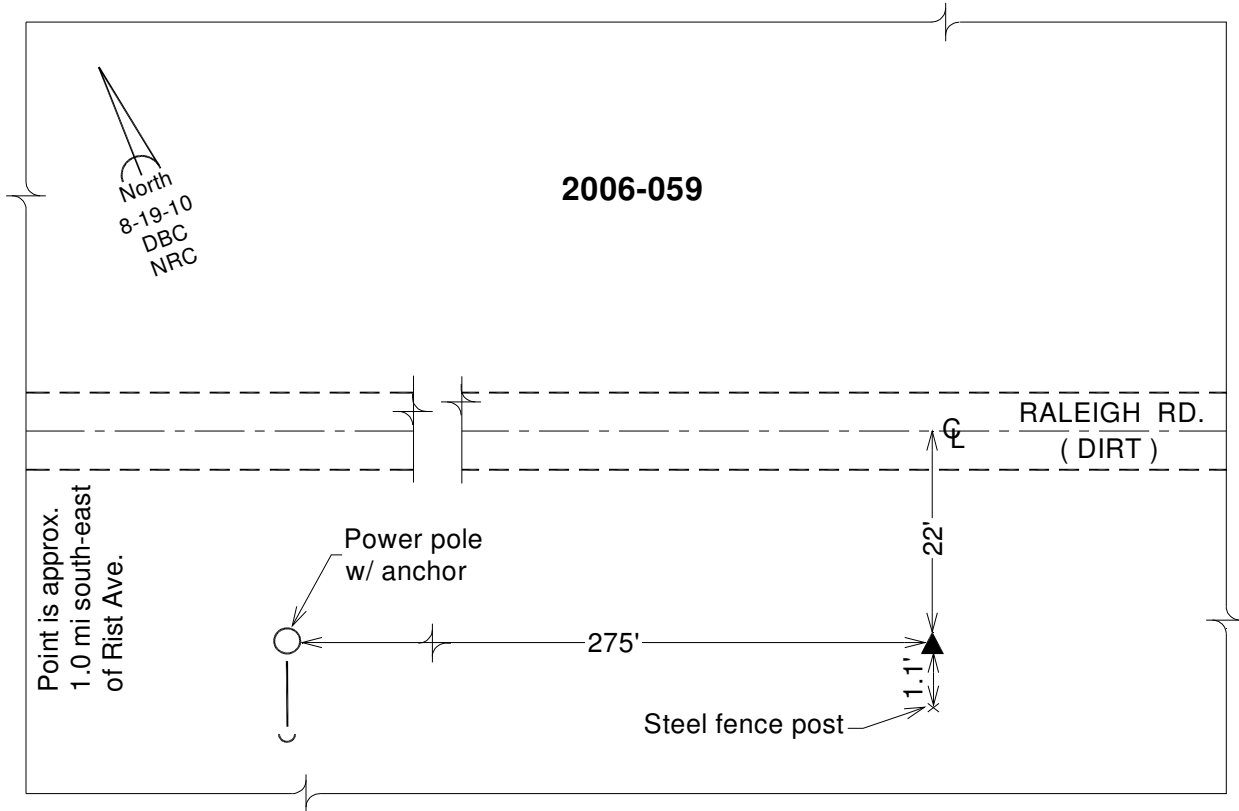
Designation: 2006-059 Mills Co (2010 Fremont Co. GPS observations)

NAD 83(NA2011) Latitude: **N40°54'13.29375"** Longitude: **W95°45'25.78791"**
NAVD 88 Ortho Height: **954.000sft** Ellip. Ht: **861.062sft** **Geoid12A**

Iowa South Zone (1402) Northing: **337337.728sft** Easting: **1016551.805sft**
Mapping Angle: **-1°29'12"** Combination Scale Factor: **0.999920663**

IaRCS Zone 6 Northing: **6838165.189sft** Easting: **16493412.306sft**
Mapping Angle: **-0°00'56"** Combination Scale Factor: **0.999997960**

Monument Type: Berntsen 3/4" Top Security Rod Monument with a 2-1/2" dia. domed survey cap and permanent magnet encased in a white PVC pipe with a NGS style alum. access cover.



This document was prepared by DCI on January 9, 2015 for use by Fremont County, Iowa