

Hardin County, Iowa
 Horizontal Datum: **NAD 83(NA2011)** - Vertical Datum: **NAVD 1988**
 Iowa State Plane North Zone (1401)
 Iowa Regional Coordinate System, Zone 4, Sioux City-Iowa Falls LCC
 US Survey Feet
9/30/18

Point Name: **8053**

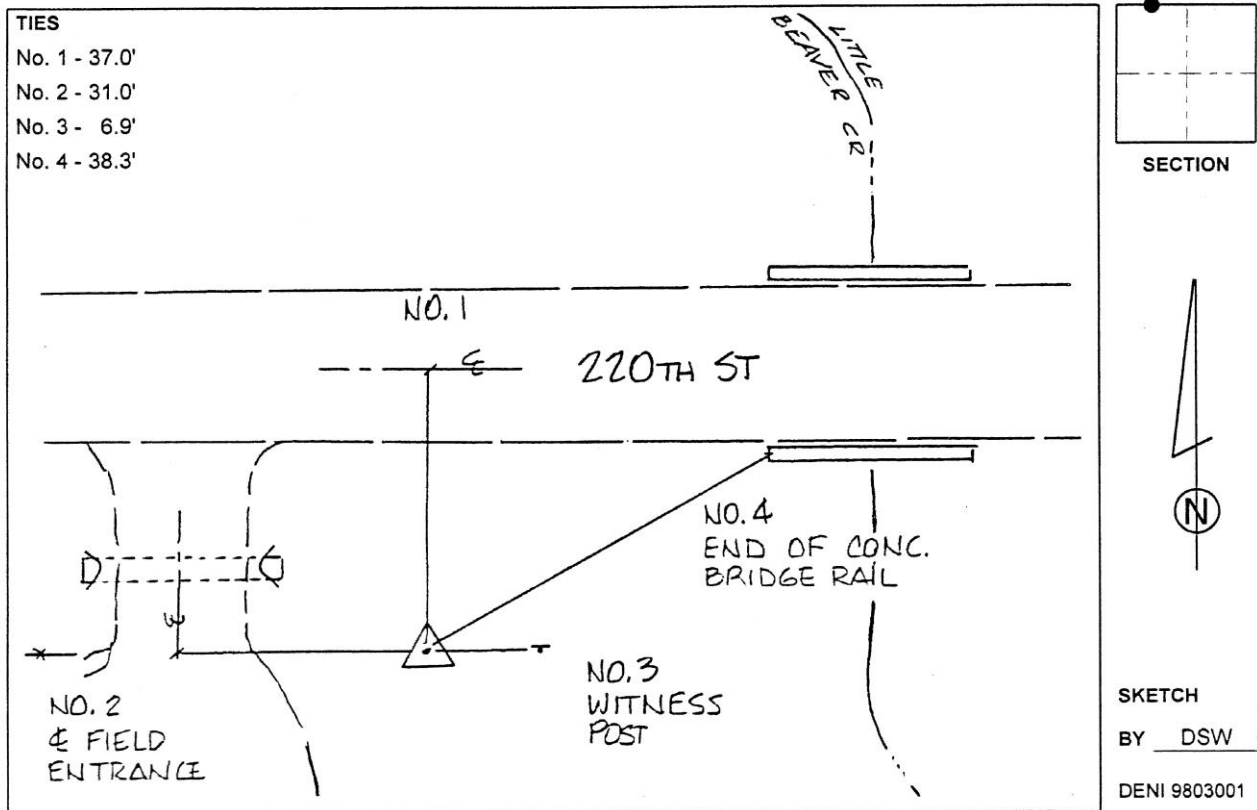
Designation: 872004 4 (Set by Deni Associates in 1998)

NAD 83(NA2011) Latitude: **N42°22'58.15215"** Longitude: **W93°11'33.85749"**
 NAVD 88 Ortho Height: **1064.070sft** Ellip. Ht: **963.202sft** Geoid12B

Iowa North Zone (1401) Northing: **3602703.151sft** Easting: **5004263.602sft**
 Mapping Angle: **0°12'30"** Combination Scale Factor: **0.9999116195**

IaRCS Zone 4 Northing: **8549434.274sft** Easting: **14943256.746sft**
 Mapping Angle: **1°06'33"** Combination Scale Factor: **1.0000023909**

Monument Type: 3-1/4" aluminum disk set in the top of a 12" dia. poured-in-place concrete monument.



This document was prepared by Dan Corbin, Inc. on February 18th, 2019 for Hardin County, Iowa.