

Reprinted on 10-29-2008  
**Humboldt County, Iowa**  
Iowa North Zone (1401)  
Horiz. Datum: NAD83(1996)  
Vert. Datum: NAVD 1988  
US Survey Feet  
2008

Point Name: **42** (Replaces destroyed point 2006-041)

**Designation:** 2008-042 Humboldt County GPS Control Pt.

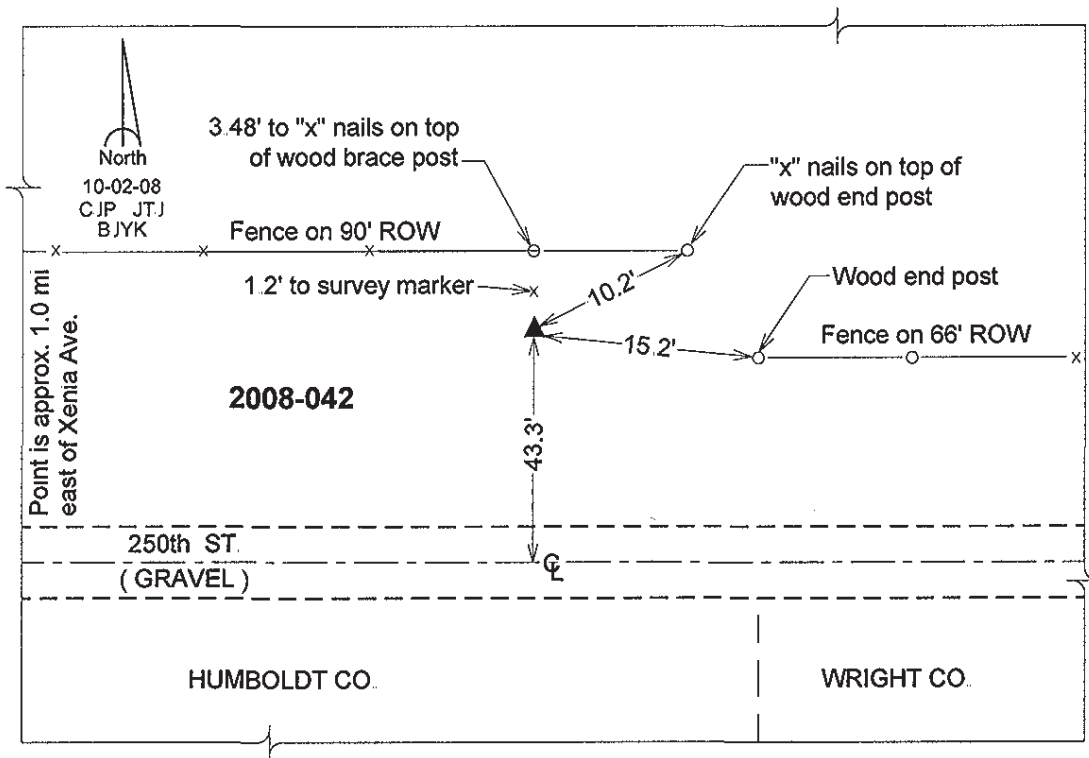
Northing: **3714199.38**sft Easting: **4794511.07**sft

Orthometric Height: **1131.34**sft Ellipsoid Height: **1038.78**sft **Geoid03**

Latitude: **42°41'17.56490"N** Longitude: **93°58'17.04955"W**

Mapping Angle: **-0°19'10"** Combination Scale Factor: **0.99989587**

**Monument Type:** Berntsen Top Security Rod Monument with a 2-1/2" dia. domed survey cap and permanent magnet encased in a 5" dia. PVC pipe with a NGS style aluminum access cover.



This document was prepared by DCI and GBC for use by Humboldt County, Iowa