

**Iowa County, Iowa**  
 Iowa South Zone (1402)  
 Horiz. Datum: NAD83(NSRS2007)  
 Vert. Datum: NAVD 1988  
 US Survey Feet  
**2008**

Point Name: **4304**

**Designation:** USGS 3rd order vertical control station "22 DWB 1966 869"

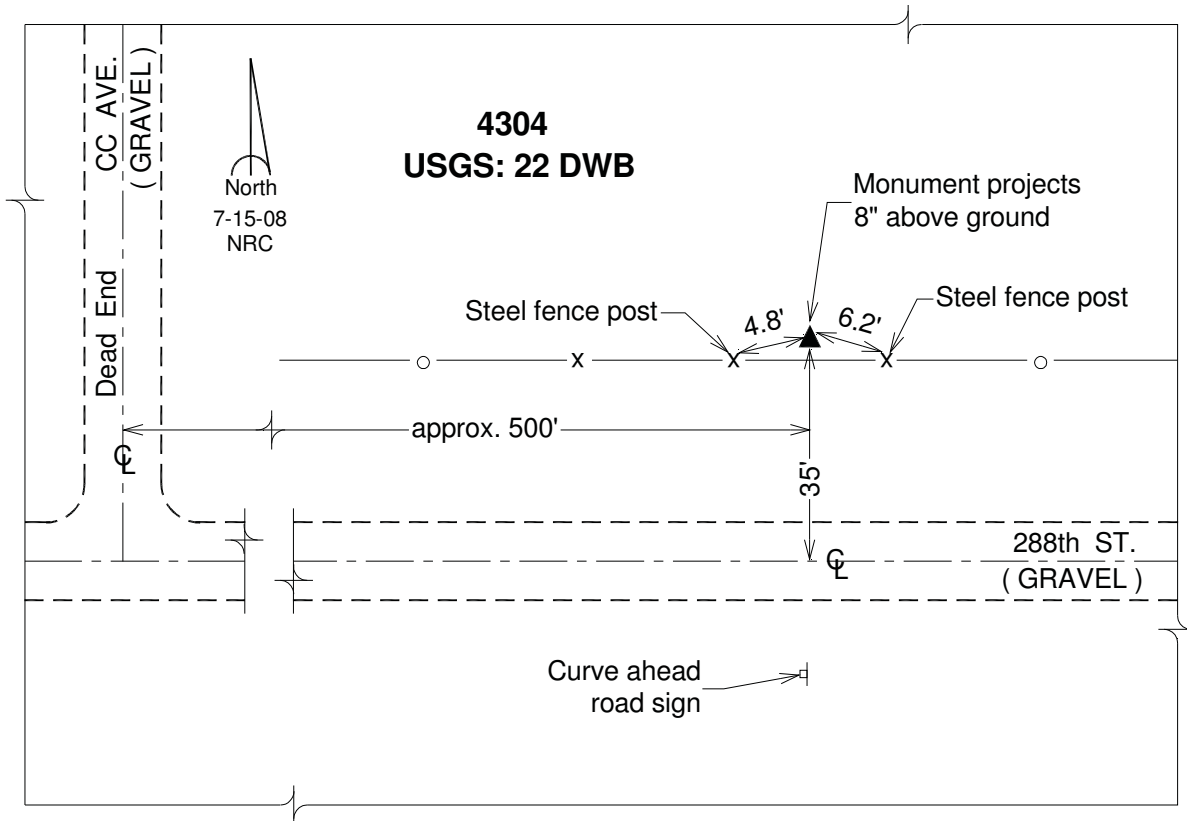
Northing: **580351.35**sft    Easting: **1984381.60**sft

Orthometric Height: **868.67**sft    Ellipsoid Height: **763.10**sft    **Geoid03**

Latitude: **41°35'09.84599"N**                      Longitude: **92°14'33.42633"W**

Mapping Angle: **0°49'42"**                      Combination Scale Factor: **0.99993452**

**Monument Type:** Station is a standard bench mark disk stamped "22 DWB 1966 869" and set in the top of a square concrete post.



*This document was prepared by DCI and GBC for use by Iowa County, Iowa.*