

Iowa County, Iowa
Iowa South Zone (1402)
Horiz. Datum: NAD83(NSRS2007)
Vert. Datum: NAVD 1988
US Survey Feet
2008

Point Name: **4310**

Designation: USGS vertical control station "Z 85 RESET" 1987

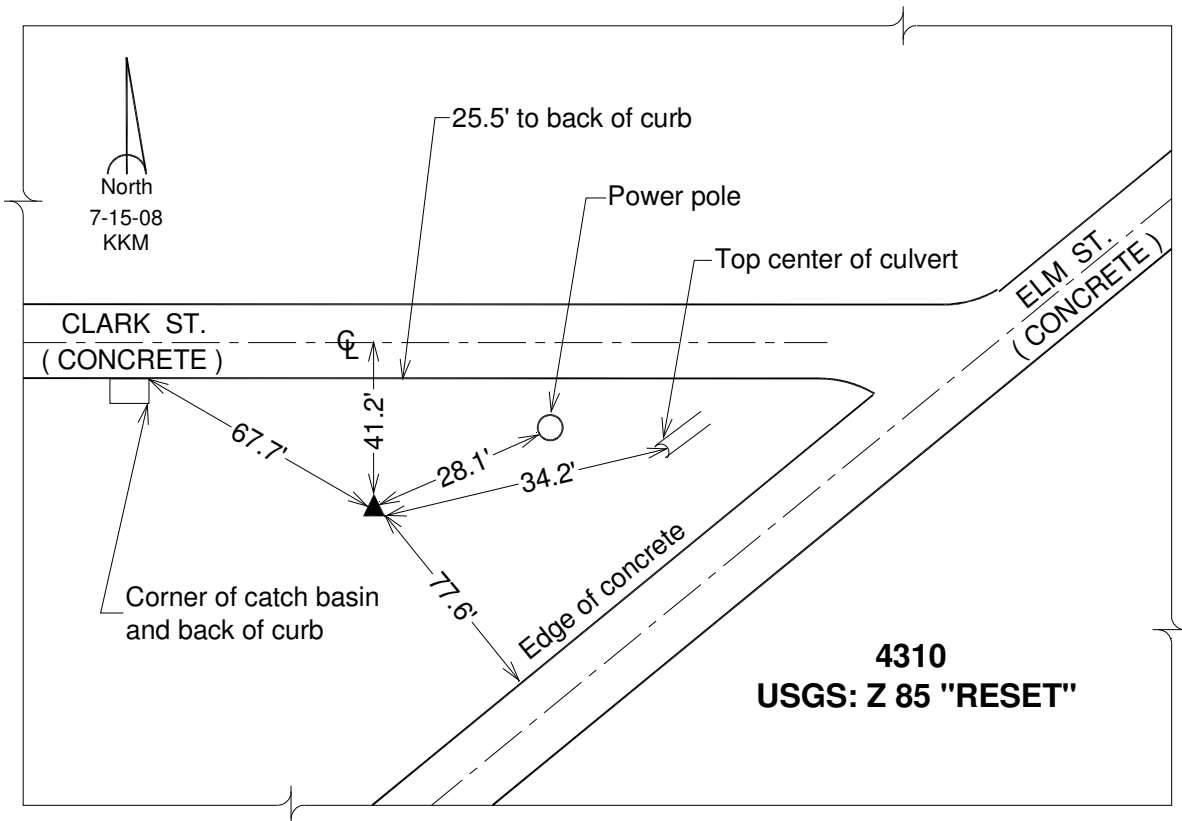
Northing: **554756.77sft** Easting: **2031793.05sft**

Orthometric Height: **774.58sft** Ellipsoid Height: **668.30sft** **Geoid03**

Latitude: **41°30'49.76792"N** Longitude: **92°04'15.13149"W**

Mapping Angle: **0°56'29"** Combination Scale Factor: **0.99993137**

Monument Type: Station is a standard disk stamped "Z 85 RESET 1987" and set in the top of a concrete post.



This document was prepared by DCI and GBC for use by Iowa County, Iowa.