

Iowa County, Iowa
Iowa South Zone (1402)
Horiz. Datum: NAD83(NSRS2007)
Vert. Datum: NAVD 1988
US Survey Feet
2008

Point Name: **4304**

Designation: USGS 3rd order vertical control station "22 DWB 1966 869"

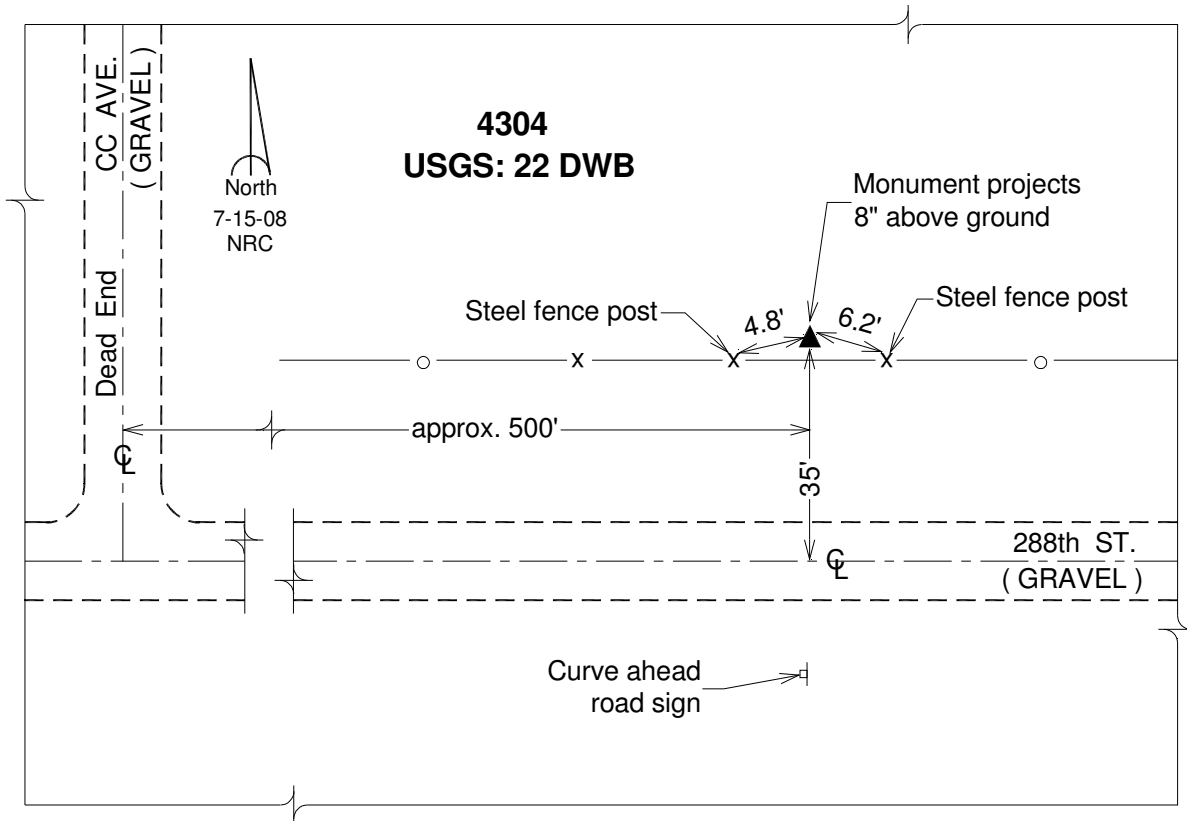
Northing: **580351.35**sft Easting: **1984381.60**sft

Orthometric Height: **868.67**sft Ellipsoid Height: **763.10**sft **Geoid03**

Latitude: **41°35'09.84599"N** Longitude: **92°14'33.42633"W**

Mapping Angle: **0°49'42"** Combination Scale Factor: **0.99993452**

Monument Type: Station is a standard bench mark disk stamped "22 DWB 1966 869" and set in the top of a square concrete post.



This document was prepared by DCI and GBC for use by Iowa County, Iowa.