

Jefferson County, Iowa
Iowa South Zone (1402)
Horiz. Datum: NAD83(1996)
Vert. Datum: NAVD 1988
US Survey Feet
2005

Point Name: **447**

Designation: 2003-447 Keokuk Co GPS Control Pt. (Set by DCI in 2003)

Northing: **427793.31sft** Easting: **2020152.55sft**

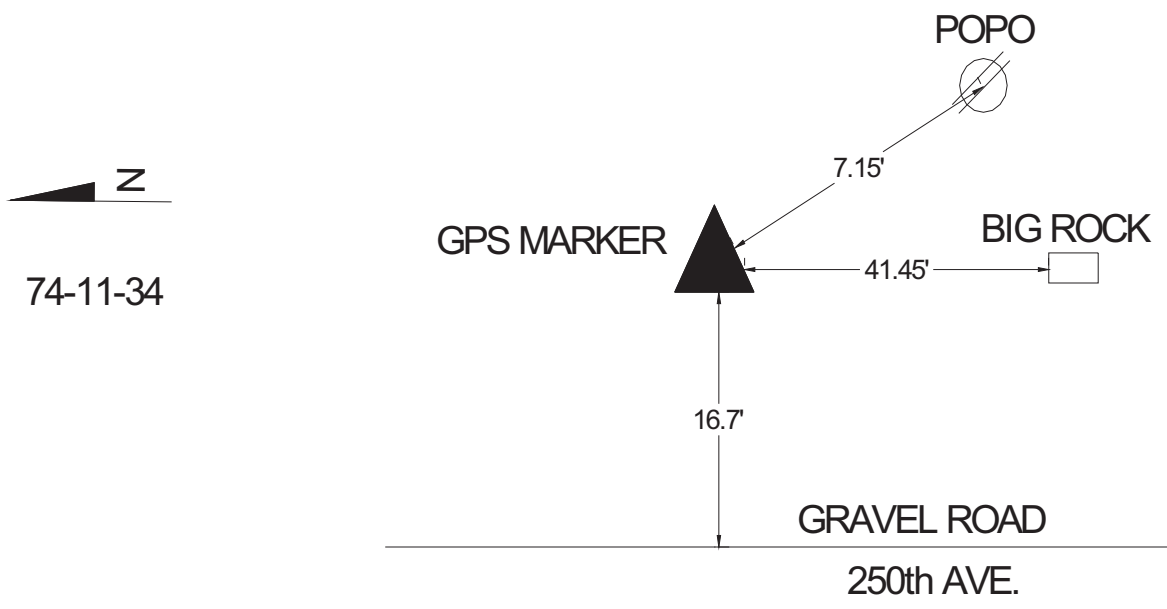
Orthometric Height: **800.42sft** Ellipsoid Height: **693.52sft** **Geoid03**

Latitude: **41°09'57.32450"N** Longitude: **92°07'14.58947"W**

Mapping Angle: **0°54'31"** Combination Scale Factor: **0.99991546**

Monument Type: Berntsen Top Security Rod Monument with a 2-1/2" dia. domed survey cap and permanent magnet encased in a 5"dia. PVC pipe with a NGS style aluminum access cover.

447



This document was prepared by DCI for use by Jefferson Co., Iowa.