

**Johnson County, Iowa**  
Iowa South Zone (1402)  
Horiz. Datum: NAD83(1996)  
Vert. Datum: NAVD 1988  
US Survey Feet  
**2006**

Point Name: **45**

**Designation:** 92-45 Johnson County GPS Control Point (Set by ASI in 1992)

Northing: **598070.77sft**    Easting: **2095925.67sft**

Orthometric Height: **786.38sft**    Ellipsoid Height: **679.86sft**    **Geoid03**

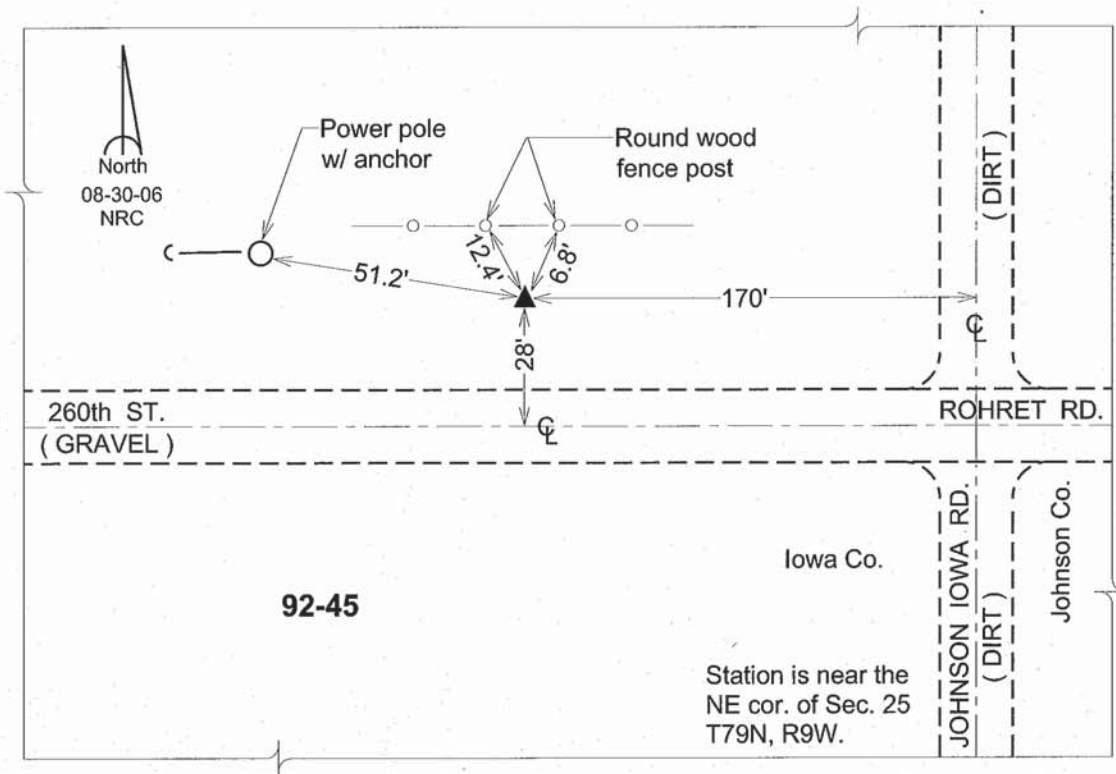
Latitude: **41°37'46.36674"N**

Longitude: **91°50'01.35640"W**

Mapping Angle: **1°05'51"**

Combination Scale Factor: **0.99994387**

**Monument Type:** 5/8" dia. driven aluminum rod with a 2-1/2" dia. aluminum cap and permanent magnet encased in a 6" dia. PVC pipe with an aluminum access cover.



*This document was prepared by DCI and GBC for use by Johnson County, Iowa.*