

**Johnson County, Iowa**  
Iowa South Zone (1402)  
Horiz. Datum: NAD83(1996)  
Vert. Datum: NAVD 1988  
US Survey Feet  
**2006**

Point Name: **77**

**Designation:** 92-77 Johnson County GPS Control Point (Set by ASI in 1992)

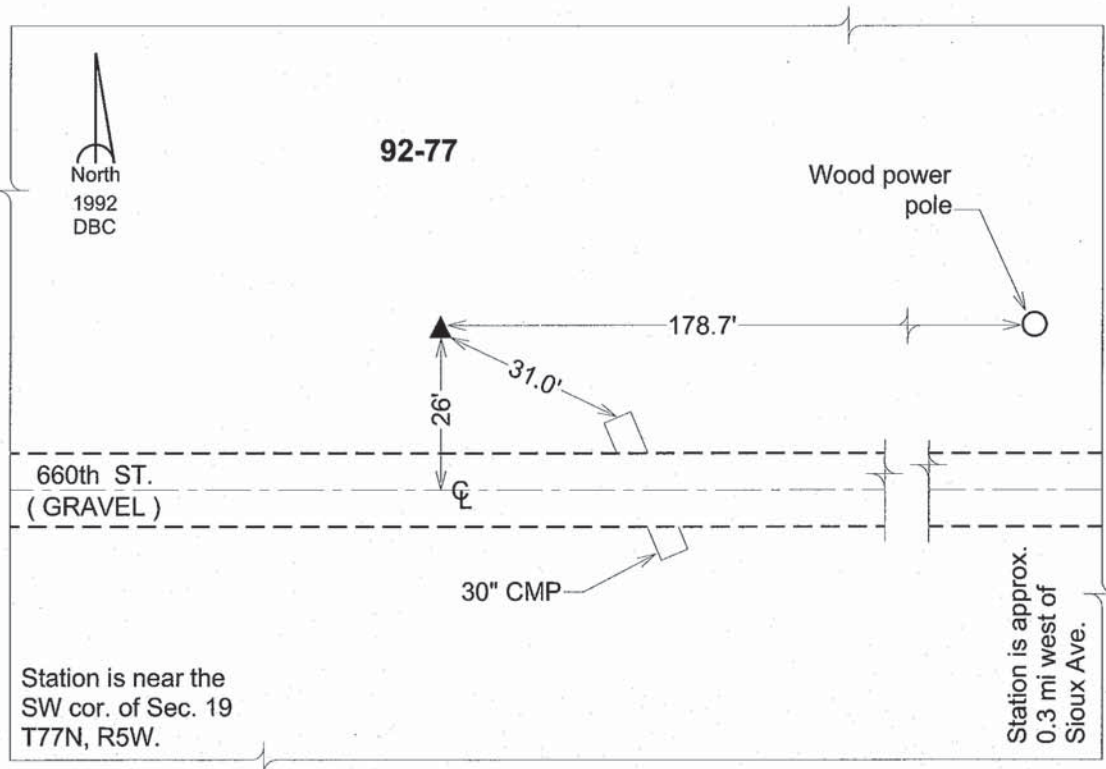
Northing: **535743.47sft**    Easting: **2192979.06sft**

Orthometric Height: **620.59sft**    Ellipsoid Height: **513.10sft**    **Geoid03**

Latitude: **41°27'10.41340"N**    Longitude: **91°29'02.68851"W**

Mapping Angle: **1°19'40"**    Combination Scale Factor: **0.99993354**

**Monument Type:** 5/8" dia. driven aluminum rod with a 2-1/2" dia. aluminum cap and permanent magnet encased in a 6" dia. PVC pipe with an aluminum access cover.



*This document was prepared by DCI and GBC for use by Johnson County, Iowa.*