

**Johnson County, Iowa**  
 Iowa South Zone (1402)  
 Horiz. Datum: **NAD83(NA2011)**  
 Vert. Datum: NAVD 1988  
 US Survey Feet  
**2013**

Point Name: **45**

**Designation:** 92-45 Johnson County GPS Control Point (Set by ASI in 1992)

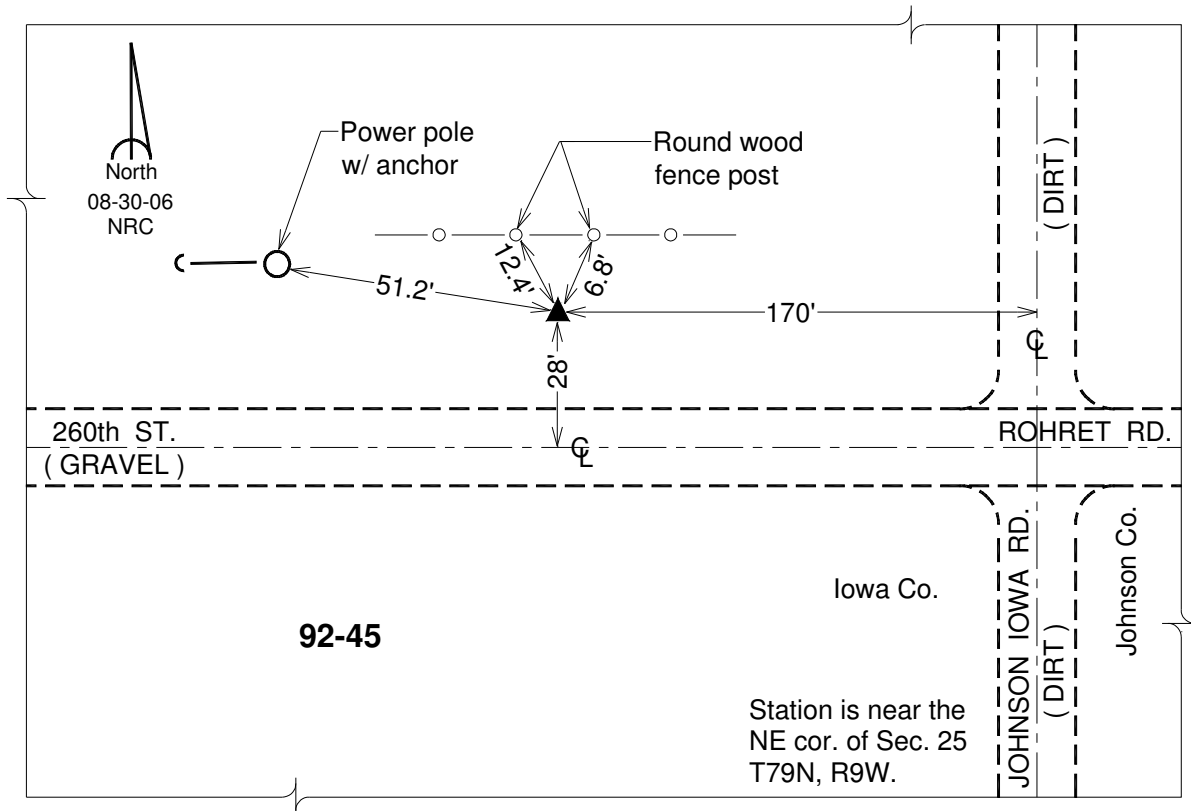
Northing: **598070.74sft**    Easting: **2095925.79sft**

Orthometric Height: **786.38sft**    Ellipsoid Height: **679.81sft**    **Geoid12A**

Latitude: **N41°37'46.36643"**    Longitude: **W91°50'01.35482"**

Mapping Angle: **1°05'51"**    Combination Scale Factor: **0.999943875**

**Monument Type:** 5/8" dia. driven aluminum rod with a 2-1/2" dia. aluminum cap and permanent magnet encased in a 6" dia. PVC pipe with an aluminum access cover.



*This document was prepared by DCI on 03-05-2013 for use by Johnson County, Iowa.*