

Johnson County, Iowa
Iowa South Zone (1402)
Horiz. Datum: **NAD83(NA2011)**
Vert. Datum: NAVD 1988
US Survey Feet
2013

Point Name: **77**

Designation: 92-77 Johnson County GPS Control Point (Set by ASI in 1992)

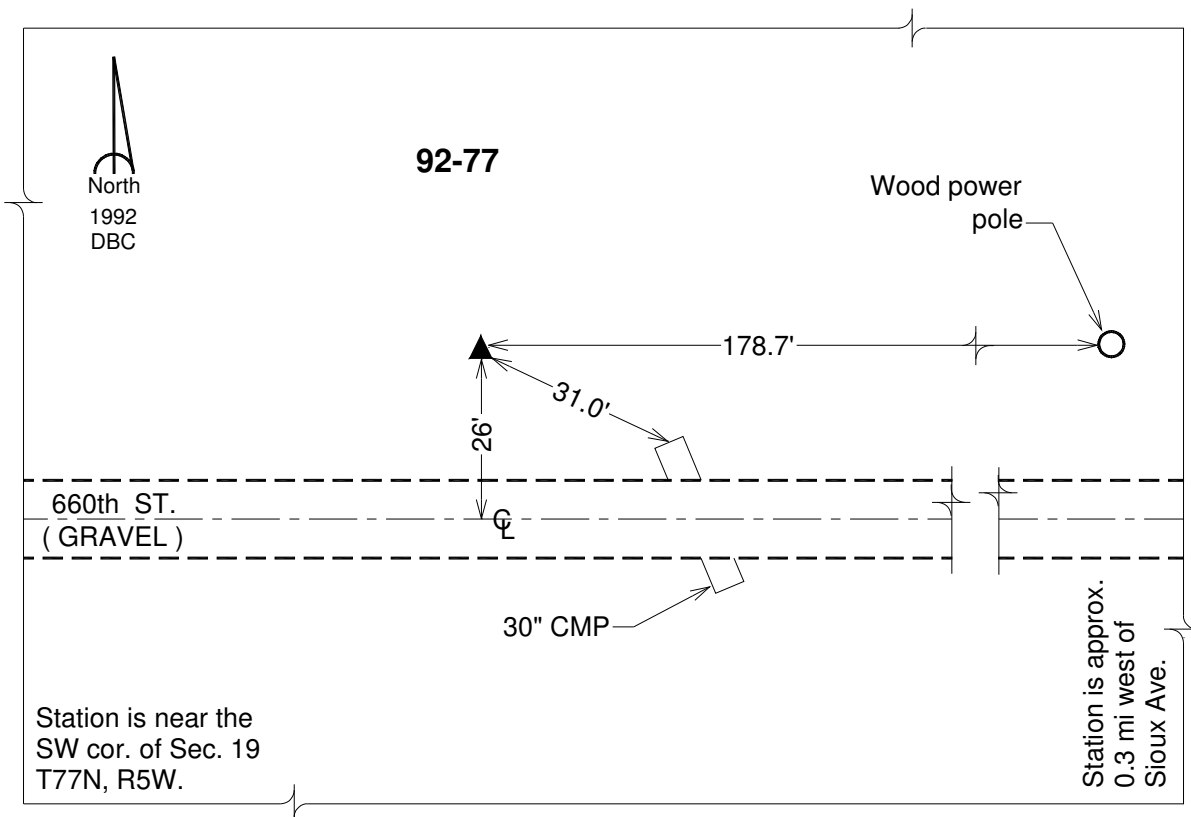
Northing: **535743.47sft** Easting: **2192979.09sft**

Orthometric Height: **620.59sft** Ellipsoid Height: **513.06sft** **Geoid12A**

Latitude: **N41°27'10.41339"** Longitude: **W91°29'02.68808"**

Mapping Angle: **1°19'40"** Combination Scale Factor: **0.999933538**

Monument Type: 5/8" dia. driven aluminum rod with a 2-1/2" dia. aluminum cap and permanent magnet encased in a 6" dia. PVC pipe with an aluminum access cover.



This document was prepared by DCI on 03-05-2013 for use by Johnson County, Iowa.