

Kossuth County, Iowa
Iowa North Zone (1401)
Horiz. Datum: NAD83(1996)
Vert. Datum: NAVD 1988
US Survey Feet
2005

Point Name: **516**

Designation: 2005-516 Kossuth Co GPS Control Point

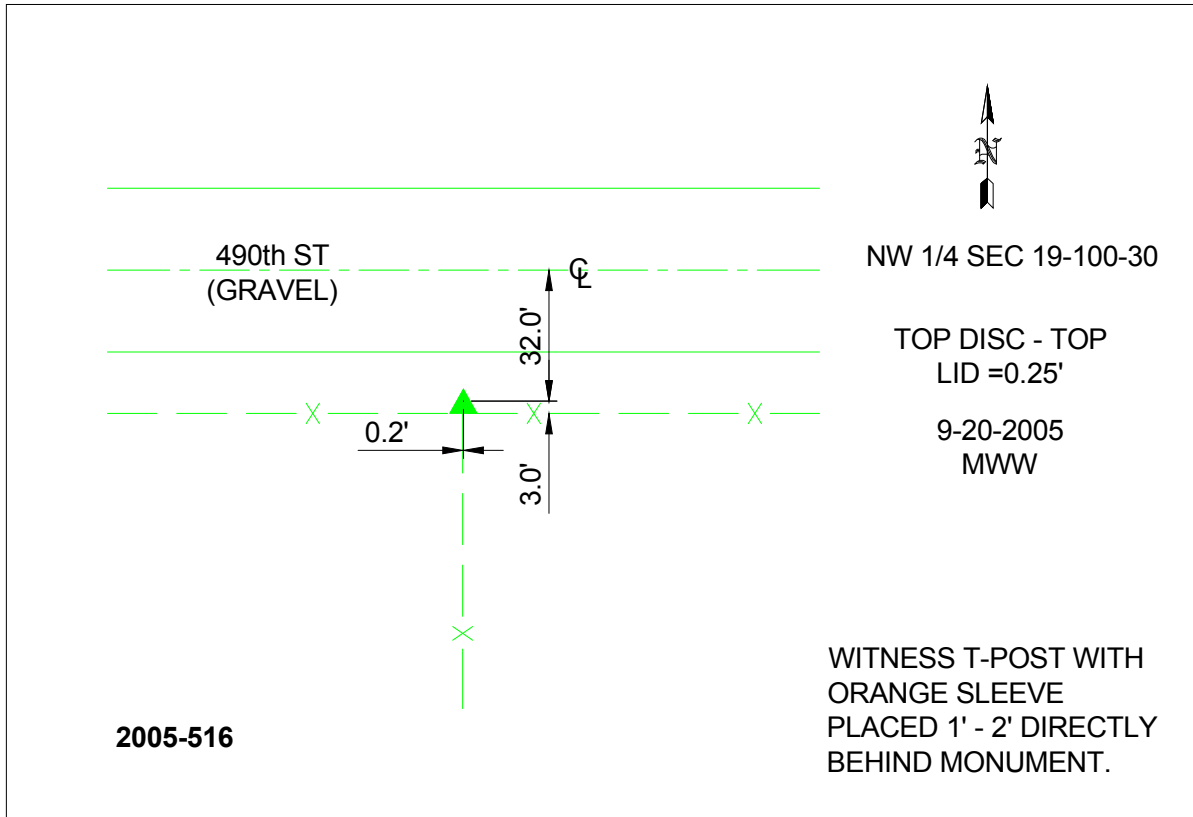
Northing: **4001547.15sft** Easting: **4671039.35sft**

Orthometric Height: **1213.77sft** Ellipsoid Height: **1121.05sft** **Geoid03**

Latitude: **43°28'25.48031"N** Longitude: **94°26'33.14499"W**

Mapping Angle: **-0°38'20"** Combination Scale Factor: **0.999990930**

Monument Type: Berntsen Top Security Rod Monument with a 2-1/2" dia. domed survey cap and permanent magnet encased in a 6"dia. PVC pipe with a NGS style aluminum access cover.



This document was prepared by DCI and GBC for use by Kossuth County, Iowa.