

Kossuth County, Iowa
Iowa North Zone (1401)
Horiz. Datum: NAD83(1996)
Vert. Datum: NAVD 1988
US Survey Feet
2005

Point Name: **544**

Designation: 2005-544 Kossuth Co GPS Control Point

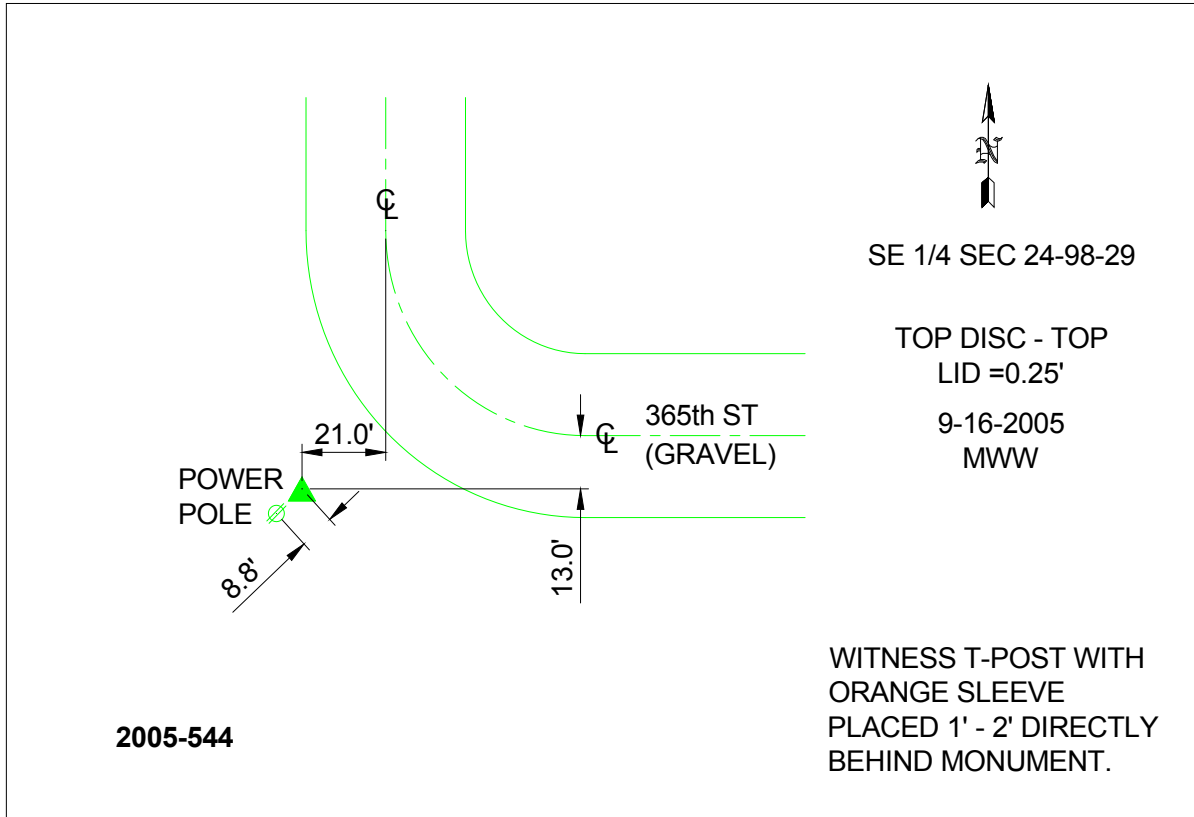
Northing: **3934376.25**sft Easting: **4733046.90**sft

Orthometric Height: **1157.42**sft Ellipsoid Height: **1063.46**sft **Geoid03**

Latitude: **43°17'28.08692"N** Longitude: **94°12'24.68063"W**

Mapping Angle: **-0°28'45"** Combination Scale Factor: **0.999953820**

Monument Type: Berntsen Top Security Rod Monument with a 2-1/2" dia. domed survey cap and permanent magnet encased in a 6"dia. PVC pipe with a NGS style aluminum access cover.



This document was prepared by DCI and GBC for use by Kossuth County, Iowa.