

**Kossuth County, Iowa**  
Iowa North Zone (1401)  
Horiz. Datum: NAD83(1996)  
Vert. Datum: NAVD 1988  
US Survey Feet  
**2005**

Point Name: **562**

**Designation:** 2005-562 Kossuth Co GPS Control Point

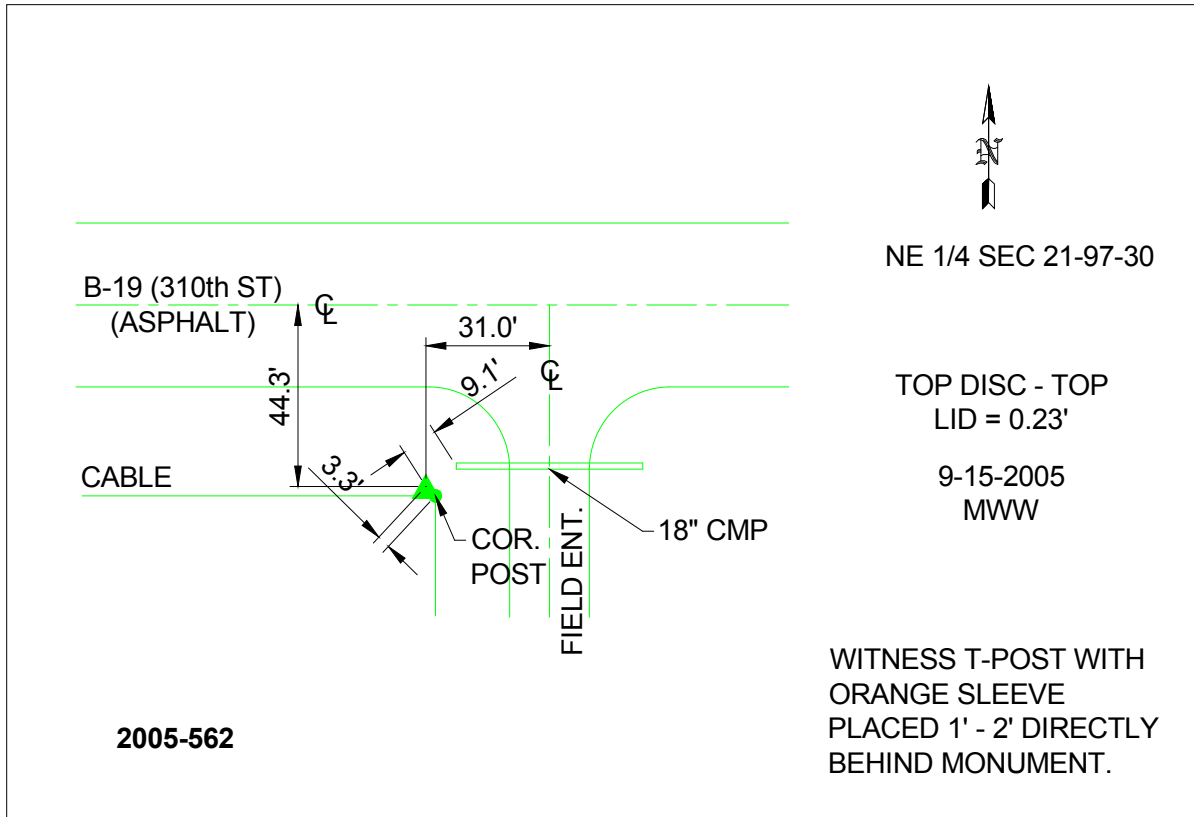
Northing: **3906025.79**sft Easting: **4685308.30**sft

Orthometric Height: **1219.41**sft Ellipsoid Height: **1125.68**sft **Geoid03**

Latitude: **43°12'43.64921"N** Longitude: **94°23'06.09560"W**

Mapping Angle: **-0°35'59"** Combination Scale Factor: **0.999936780**

**Monument Type:** Berntsen Top Security Rod Monument with a 2-1/2" dia. domed survey cap and permanent magnet encased in a 6"dia. PVC pipe with a NGS style aluminum access cover.



*This document was prepared by DCI and GBC for use by Kossuth County, Iowa.*