

Louisa County, Iowa
 Iowa South Zone (1402)
 Horiz. Datum: NAD83(NSRS2007)
 Vert. Datum: NAVD 1988
 US Survey Feet
2007

Point Name: **30**

Designation: 2006-030 Louisa Co GPS Control Pt.

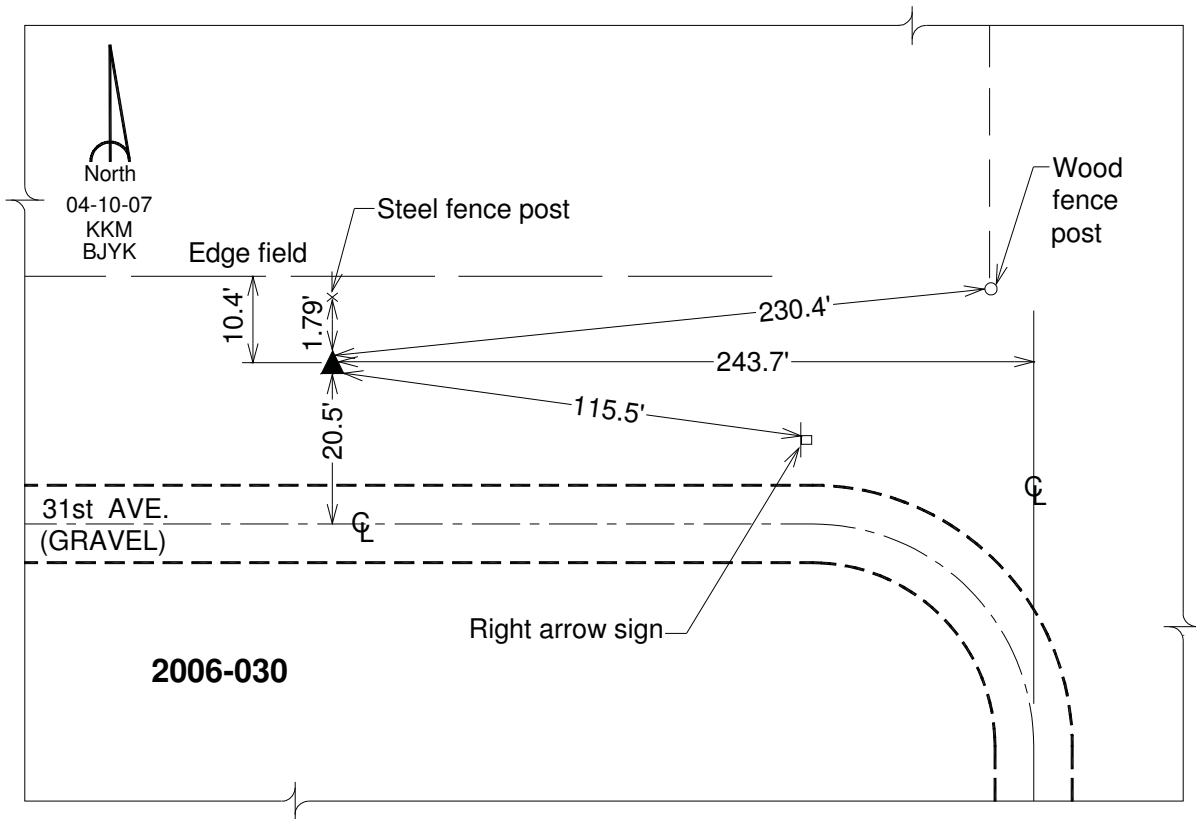
Northing: **420940.86**sft Easting: **2332682.19**sft

Orthometric Height: **529.10**sft Ellipsoid Height: **420.97**sft **Geoid03**

Latitude: **41°07'40.53985"N** Longitude: **90°59'12.31470"W**

Mapping Angle: **1°39'20"** Combination Scale Factor: **0.99992909**

Monument Type: Berntsen Top Security Rod Monument with a 2-1/2" dia. domed survey cap and permanent magnet encased in a white PVC pipe with a NGS style aluminum access cover.



This document was prepared by DCI and GBC for use by Louisa County, Iowa.