

Mills County, Iowa

Horizontal Datum: **NAD 83(2011)** - Vertical Datum: **NAVD 1988**

Iowa State Plane South Zone (1402)

Iowa Regional Coordinate System, Zone 6 Council Bluffs

US Survey Feet

2016

Point Name: **1012**

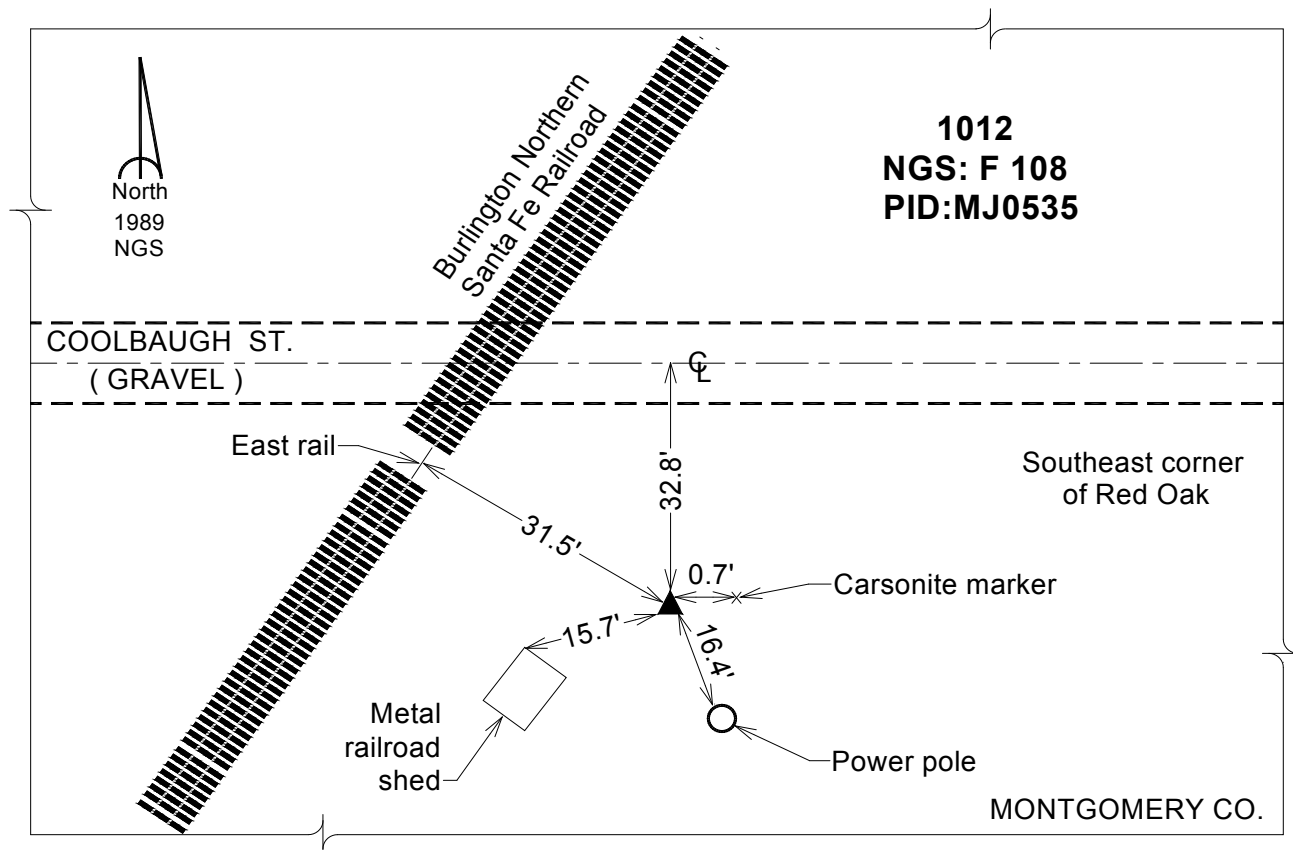
Designation: NGS 2nd order vertical "F 108" PID: MJ0535

NAD 83(NA2011) Latitude: **N41°00'31.58304"** Longitude: **W95°12'39.97318"**
NAVD 88 Ortho Height: **1117.970sft** Ellip. Ht: **1020.566sft** Geoid12A

Iowa South Zone (1402) Northing: **372171.545sft** Easting: **1168209.532sft**
Mapping Angle: **-1°07'38"** Combination Scale Factor: **0.999905267**

laRCS Zone 6 Northing: **6876882.496sft** Easting: **16644139.682sft**
Mapping Angle: **00° 20' 34"** Combination Scale Factor: **1.000013857**

Monument Type: The station is a CGS bench mark disk stamped "F 108 1935" and set in the top a concrete monument.



This document was prepared by Dan Corbin, Inc. on February 8, 2016 for Mills County, Iowa.