

Muscatine County, Iowa

Horizontal Datum: **NAD 83(2011)** - Vertical Datum: **NAVD 1988**

Iowa State Plane South Zone (1402)

Iowa Regional Coordinate System Zone 14 Burlington

US Survey Feet

2014

Point Name: **331**

Designation: 331 (Set by DCI in 2014)

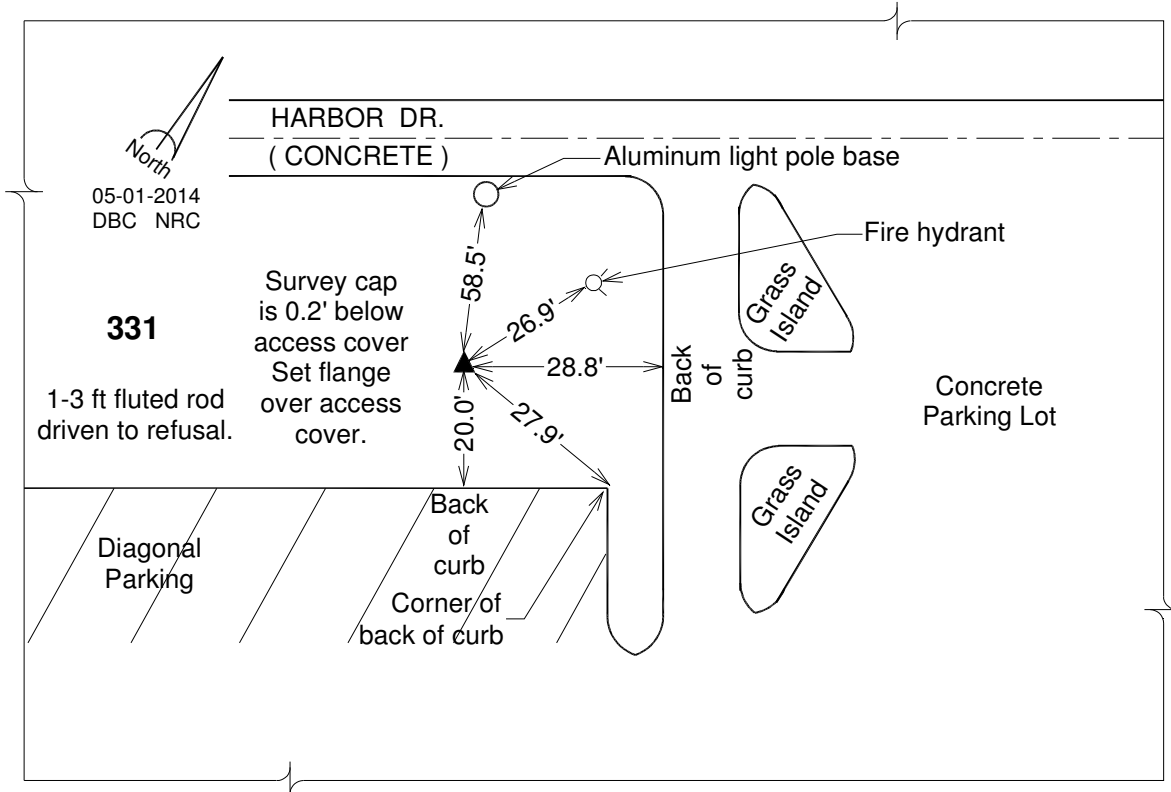
NAD 83(NA2011) Latitude: **N41°25'22.56157"** Longitude: **W91°02'19.13945"**

NAVD 88 Ortho Height: **554.919sft** Ellip. Ht: **446.963sft** **Geoid12A**

Iowa South Zone (1402) Northing: **527974.147sft** Easting: **2315350.433sft**
Mapping Angle: **1°37'17"** Combination Scale Factor: **0.999934533**

IaRCS Zone 14 Northing: **6627423.962sft** Easting: **24557966.275sft**
Mapping Angle: **0°08'23"** Combination Scale Factor: **1.0000005116**

Monument Type: Berntsen Top Security Rod Monument with a 2-1/2" dia. domed survey cap and permanent magnet encased in a white PVC pipe with a NGS style aluminum access cover.



This document was prepared by DCI on November 10, 2014 for use by Muscatine County, Iowa