

Page County, Iowa
Iowa South Zone (1402)
Horiz. Datum: **NAD83(NA2011)**
Vert. Datum: NAVD 1988
US Survey Feet
2013

Point Name: **45**

Designation: 2008-045 Page Co GPS Control Pt (Set by DCI in 2008)

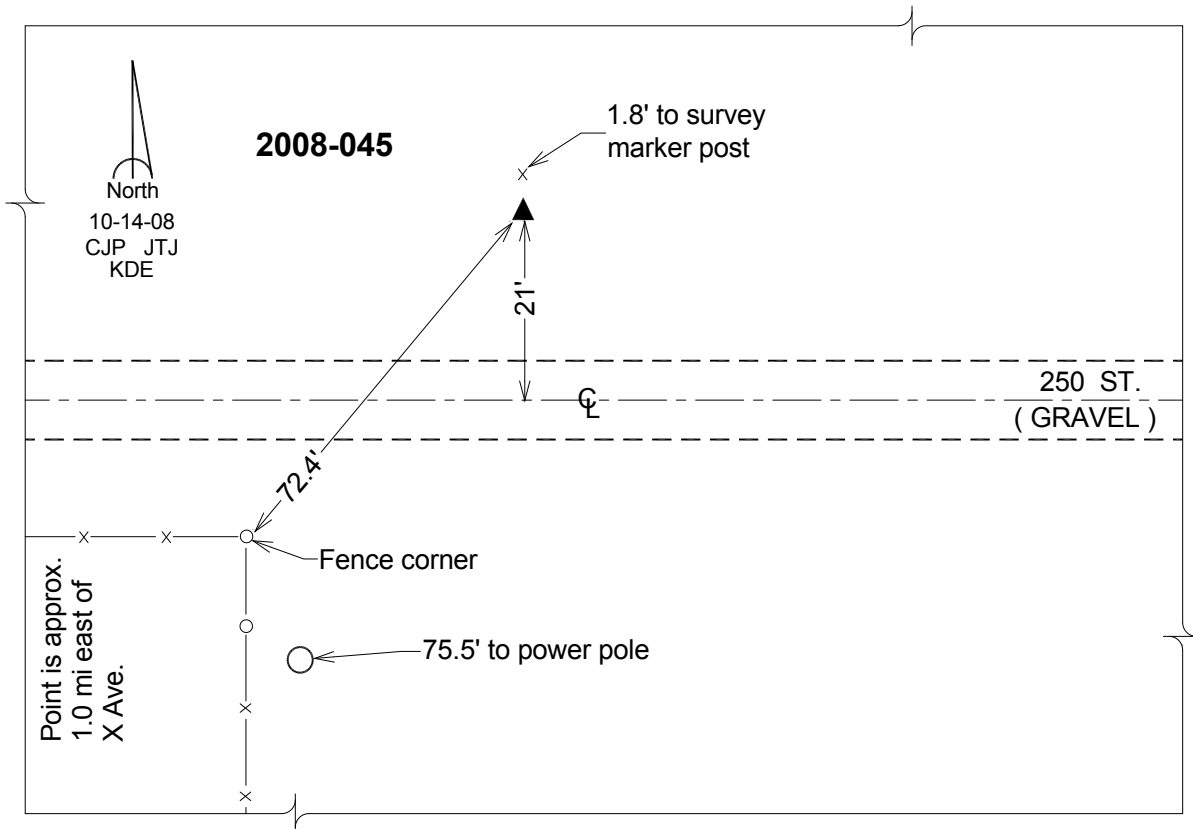
Northing: **250424.39**sft Easting: **1247838.87**sft

Orthometric Height: **1143.03**sft Ellipsoid Height: **1041.07**sft **Geoid12A**

Latitude: **N40°40'42.90777"** Longitude: **W94°54'55.56441"**

Mapping Angle: **-0°55'56"** Combination Scale Factor: **0.999939971**

Monument Type: Berntsen 3/4" Top Security Rod Monument with a 2-1/2" dia. domed survey cap and permanent magnet encased in a white PVC pipe with a NGS style alum. access cover.



This document was prepared by DCI on 04-16-2013 for use by Page County, Iowa.