

Page County, Iowa
Iowa South Zone (1402)
Horiz. Datum: **NAD83(NA2011)**
Vert. Datum: NAVD 1988
US Survey Feet
2013

Point Name: **67**

Designation: 2008-067 Page Co GPS Control Pt (Set by DCI in 2008)

Northing: **216031.88sft** Easting: **1179120.33sft**

Orthometric Height: **1068.66sft** Ellipsoid Height: **967.16sft** **Geoid12A**

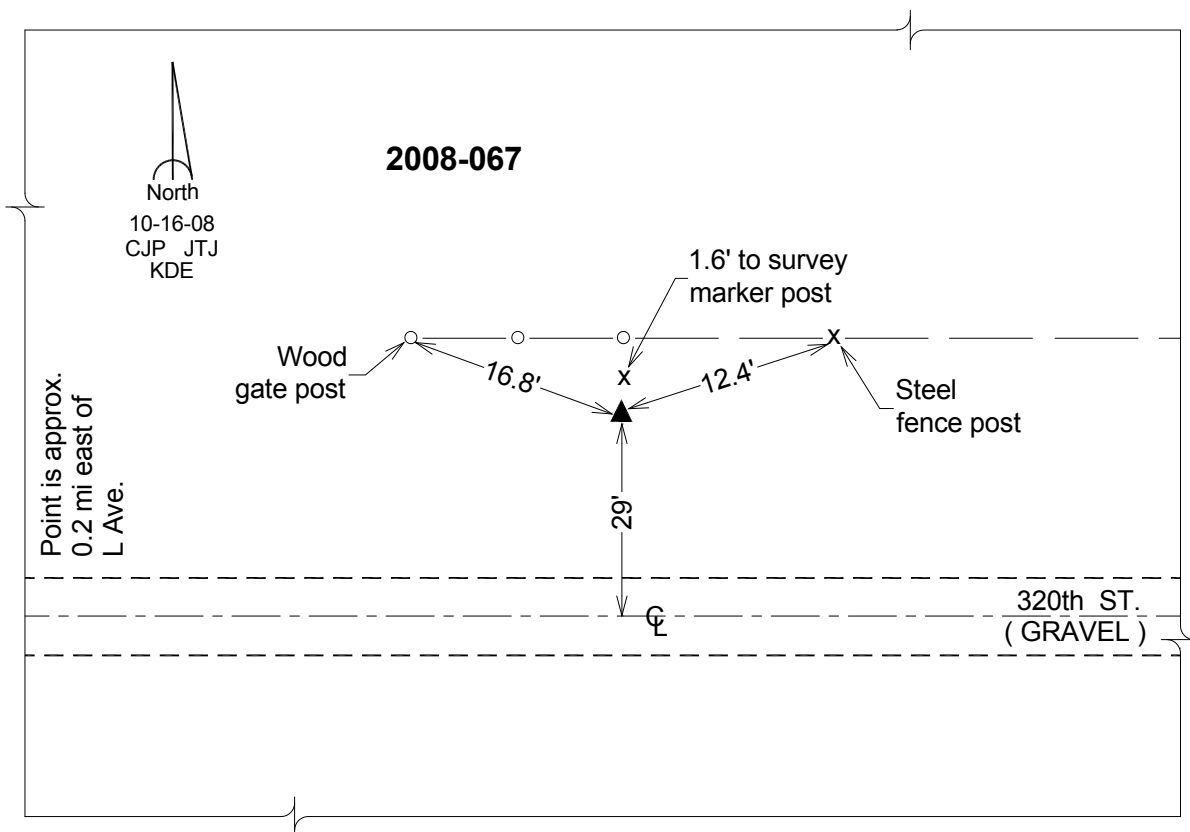
Latitude: **N40°34'51.11191"**

Longitude: **W95°09'38.79125"**

Mapping Angle: **-1°05'38"**

Combination Scale Factor: **0.999960360**

Monument Type: Berntsen 3/4" Top Security Rod Monument with a 2-1/2" dia. domed survey cap and permanent magnet encased in a white PVC pipe with a NGS style alum. access cover.



This document was prepared by DCI on 04-16-2013 for use by Page County, Iowa.