

**Palo Alto County, Iowa**  
Iowa North Zone (1401)  
Horiz. Datum: NAD83(1996)  
Vert. Datum: NAVD 1988  
US Survey Feet  
**2005**

Point Name: **482**

**Designation:** PA-0482 Palo Alto Co GPS Control Point (Set by Palo Alto Co. in 2004)

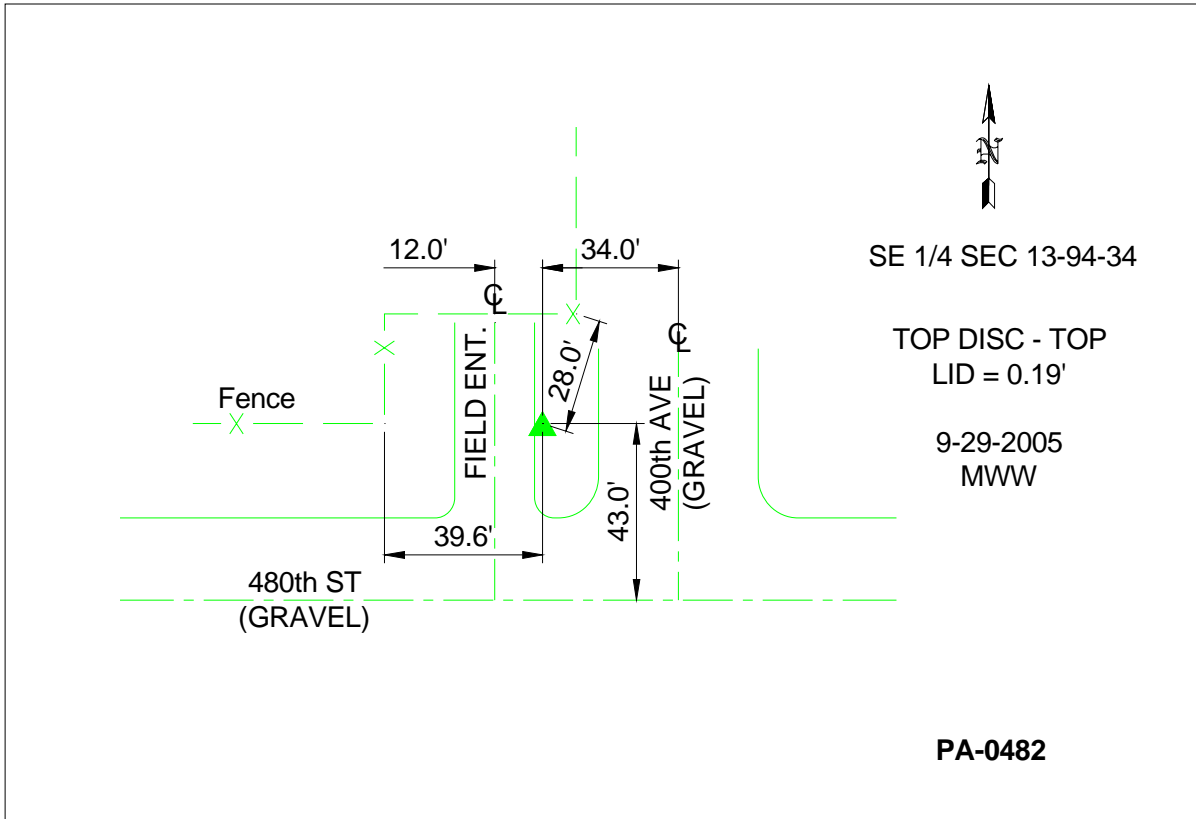
Northing: **3812856.24**sft Easting: **4574033.46**sft

Orthometric Height: **1293.22**sft Ellipsoid Height: **1198.81**sft **Geoid03**

Latitude: **42°57'09.27517"N** Longitude: **94°47'49.22243"W**

Mapping Angle: **-0°52'45"** Combination Scale Factor: **0.999900510**

**Monument Type:** Berntsen Top Security Rod Monument with a 3-1/4" dia. domed survey cap and permanent magnet encased in a 5"dia. PVC pipe with a NGS style aluminum access cover.



*This document was prepared by DCI and GBC for use by Palo Alto County, Iowa.*