

**SIOUX COUNTY, IOWA
GPS CONTROL MONUMENT
IOWA NORTH ZONE (1401)
HORIZONTAL DATUM - NAD 83 (1996)
VERTICAL DATUM - NAVD 1988**

GPS POINT NUMBER **G115**

	US SURVEY FEET	METRIC
Northing:	3823044.696	1165266.354
Easting:	4162063.677	1268599.546
Elevation:	1354.709	412.916
Ellipsoid Height:	1269.172	386.845
Geoid 99 Height:	-85.537	-26.072

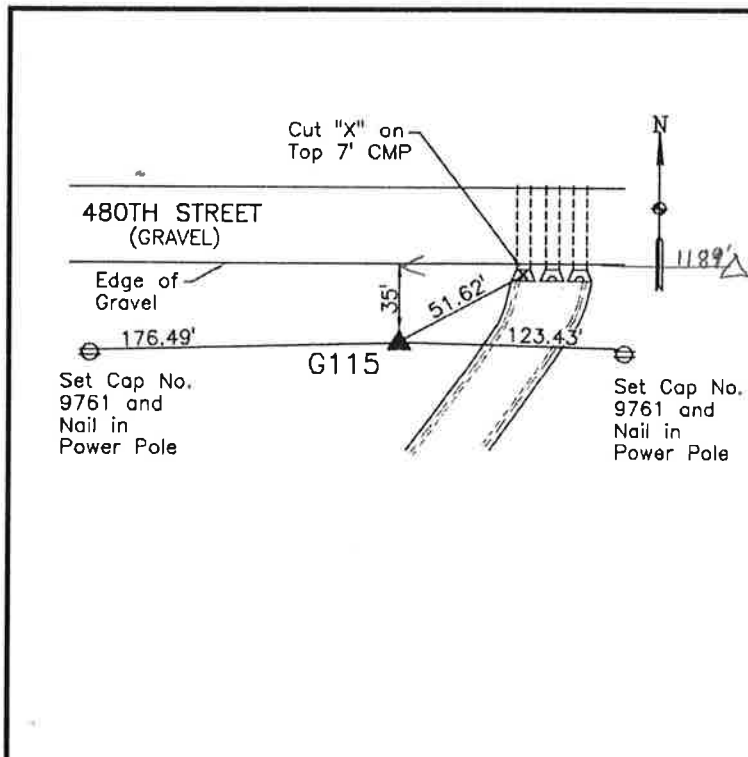
Latitude:	42° 57' 10.41370" N
Longitude:	96° 20' 10.78617" W
Scale Factor:	0.9999577343
Convergence:	-1° 55' 20.3"
Combined Factor:	0.99989718

Description:

Placed 3/4" X 6' - 0" Long Aluminum Rod with Cap Stamped G115 and NGS Style Access Cover 1" Deep

Location:

South side 480th Street 0.2 mile west of Dove Avenue in Section 24, T94N, R47W.



WHKS & CO.