

**Tama County, Iowa**  
 Iowa North Zone (1401)  
 Horiz. Datum: NAD83(NSRS2007)  
 Vert. Datum: NAVD 1988  
 US Survey Feet  
**2007**

Point Name: **26**

**Designation:** 2007-026 Tama Co GPS Control Pt

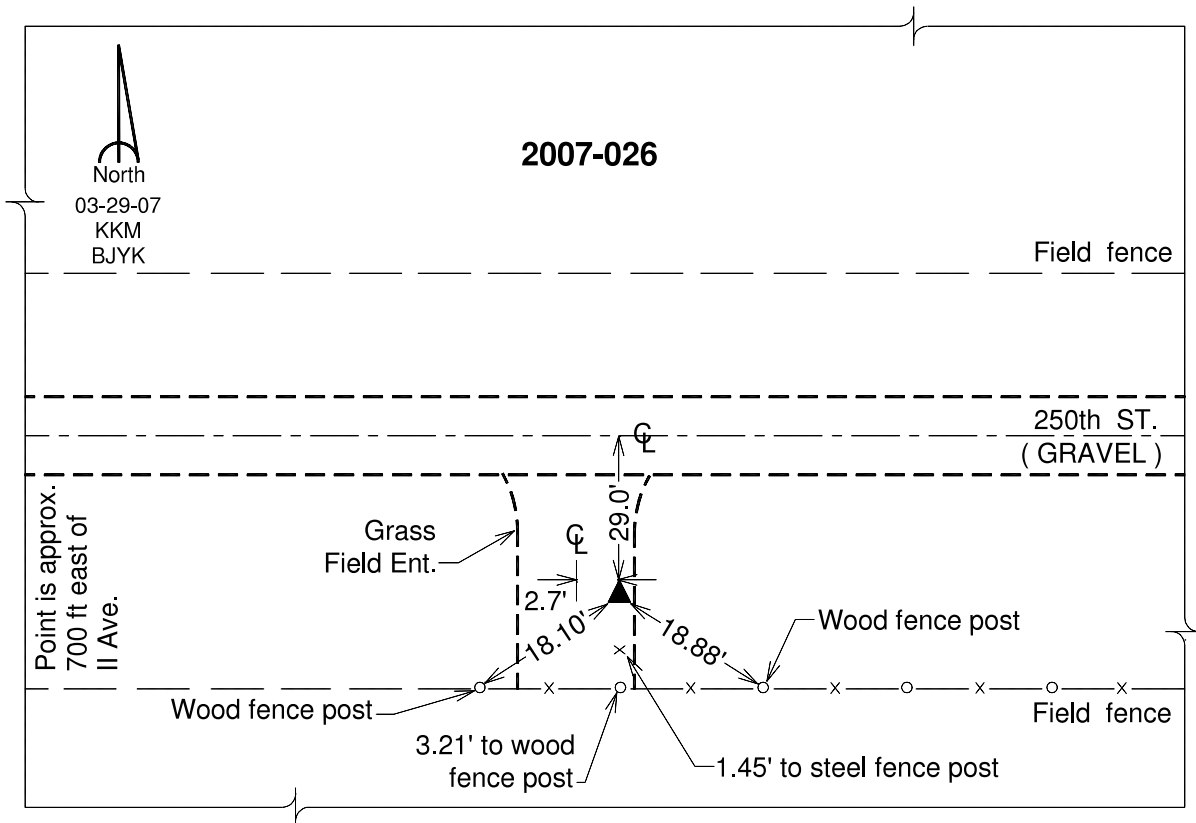
Northing: **3493248.66**sft Easting: **5166067.78**sft

Orthometric Height: **979.67**sft Ellipsoid Height: **875.85**sft **Geoid03**

Latitude: **42°04'45.46965"N** Longitude: **92°35'53.51091"W**

Mapping Angle: **0°36'40"** Combination Scale Factor: **0.99995594**

**Monument Type:** Berntsen 3/4" Top Security Rod Monument with a 2-1/2" dia. domed survey cap and permanent magnet encased in a white PVC pipe with a NGS style alum. access cover.



*This document was prepared by DCI and GBC for use by Tama County, Iowa.*