

Tama County, Iowa
 Iowa North Zone (1401)
 Horiz. Datum: NAD83(NSRS2007)
 Vert. Datum: NAVD 1988
 US Survey Feet
2007

Point Name: **31**

Designation: 2007-031 Tama Co GPS Control Pt

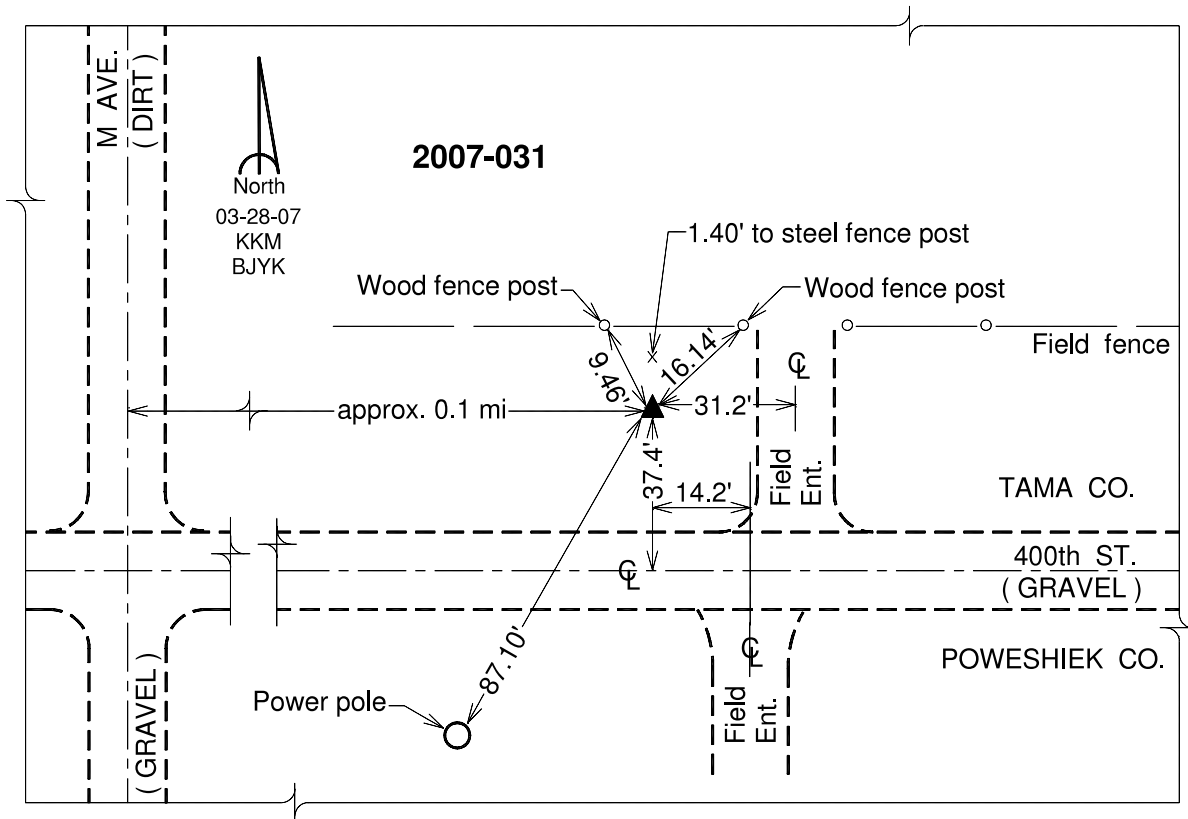
Northing: **3414377.44**sft Easting: **5185225.72**sft

Orthometric Height: **970.35**sft Ellipsoid Height: **865.90**sft **Geoid03**

Latitude: **41°51'44.27323"N** Longitude: **92°31'51.47032"W**

Mapping Angle: **0°39'24"** Combination Scale Factor: **1.00000205**

Monument Type: Berntsen 3/4" Top Security Rod Monument with a 2-1/2" dia. domed survey cap and permanent magnet encased in a white PVC pipe with a NGS style alum. access cover.



This document was prepared by DCI and GBC for use by Tama County, Iowa.