

**Taylor County, Iowa**  
 Iowa South Zone (1402)  
 Horiz. Datum: **NAD83(NA2011)**  
 Vert. Datum: NAVD 1988  
 US Survey Feet  
**2013**

Point Name: **5027**

**Designation:** Page Co 2008-027 (set by DCI in 2008)

Northing: **285689.00sft**    Easting: **1244987.52sft**

Orthometric Height: **1090.41sft**    Ellipsoid Height: **988.74sft**    **Geoid12A**

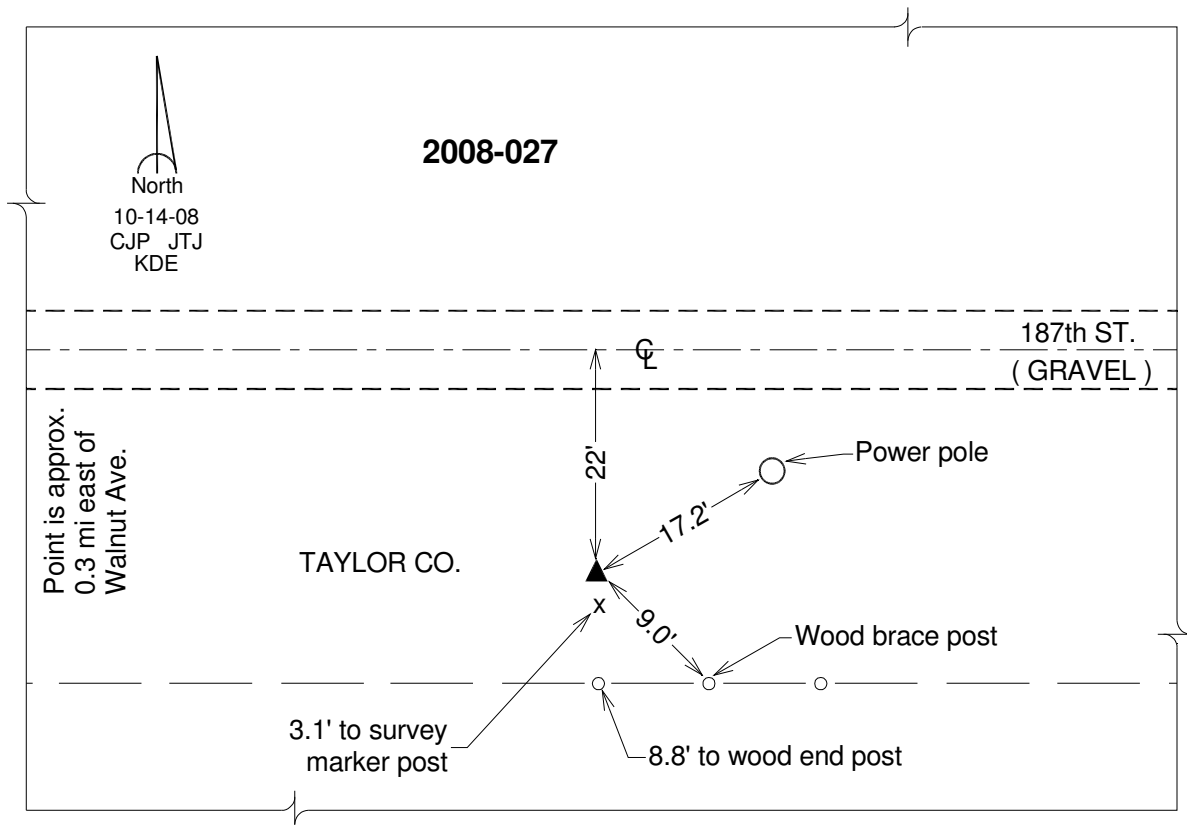
Latitude: **N40°46'30.85991"**

Longitude: **W94°55'40.08042"**

Mapping Angle: **-0°56'26"**

Combination Scale Factor: **0.999928618**

**Monument Type:** Berntsen 3/4" Top Security Rod Monument with a 2-1/2" dia. domed survey cap and permanent magnet encased in a white PVC pipe with a NGS style alum. access cover.



*This document was prepared by DCI on 04-17-2013 for use by Taylor County, Iowa.*